

PRODUCT INFORMATION PACKET

Model No: 056T17D5330

Catalog No: G126

Fan and Blower Motor, 1.50 & 1 HP, 3 Ph, 60 & 50 Hz, 208-230/460 & 190/380-415 V, 1800 & 1500 RPM,
56 Frame, DP



Regal and Marathon are trademarks of Regal Rexnord Corporation or one of its affiliated companies.

©2023 Regal Rexnord Corporation, All Rights Reserved. MC017097E



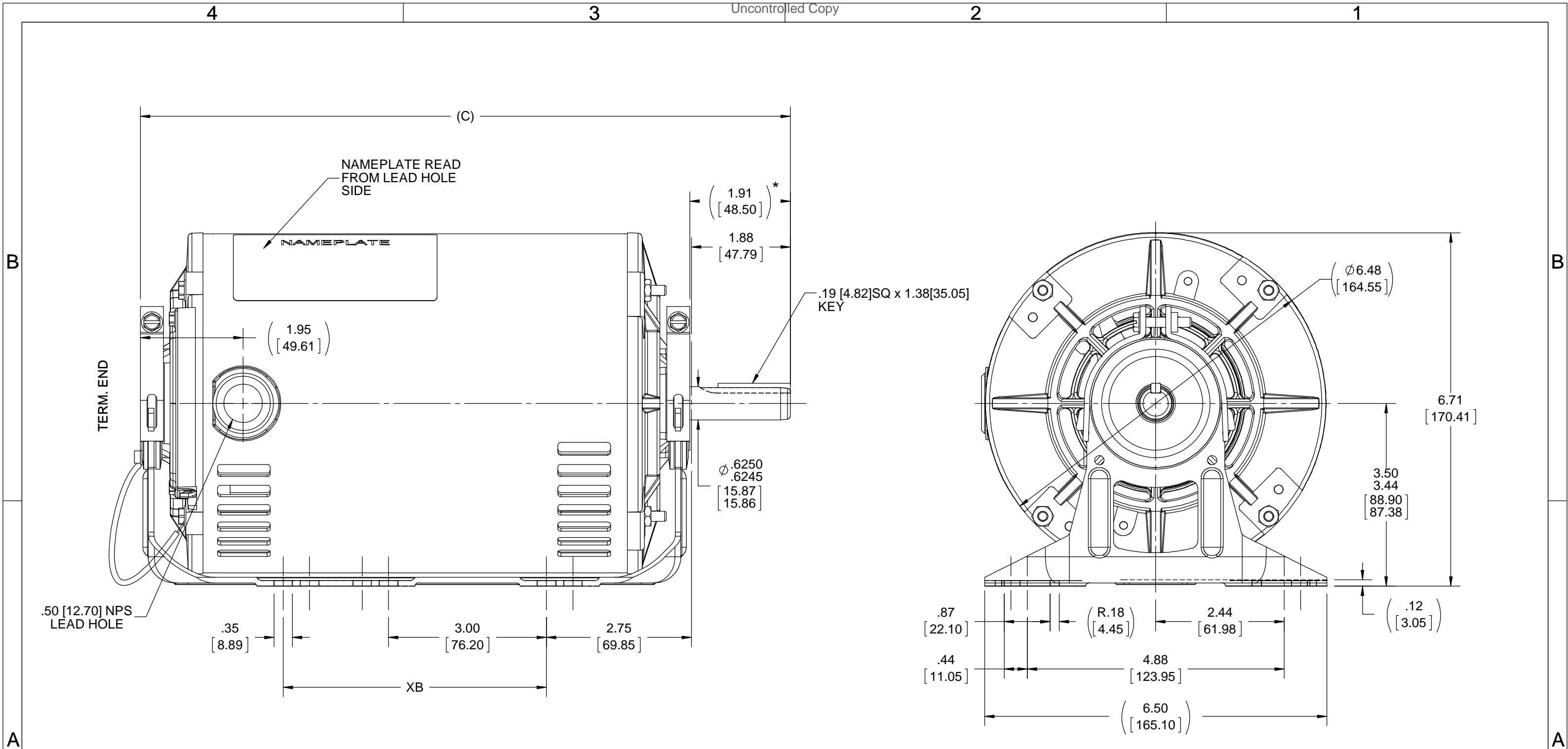
Nameplate Specifications

Phase	3	Output HP	1.50 & 1 Hp
Output KW	1.1 & 0.75 kW	Voltage	208-230/460 & 190/380-415 V
Speed	1725 & 1425 rpm	Service Factor	1.15 & 1.15
Frame	56	Enclosure	Drip Proof
Thermal Protection	Automatic	Efficiency	80.1 %
Ambient Temperature	40 °C	Frequency	60 & 50 Hz
Current	4.8-4.8/2.4 & 4.2/2.1-2.3 A	Power Factor	71.4
Duty	Continuous	Insulation Class	B
Design Code	B	KVA Code	K
Drive End Bearing Size	6203	Opp Drive End Bearing Size	6203
UL	Recognized	CSA	Y
CE	N	IP Code	22
Number of Speeds	1		

Technical Specifications

Electrical Type	Squirrel Cage Induction Run	Starting Method	Across The Line
Poles	4	Rotation	Reversible
Mounting	Resilient Base	Motor Orientation	Horizontal
Drive End Bearing	Ball	Opp Drive End Bearing	Ball
Frame Material	Rolled Steel	Shaft Type	T
Overall Length	11.35 in	Shaft Diameter	0.625 in
Shaft Extension	1.88 in	Assembly/Box Mounting	F1 ONLY
Connection Drawing	A-EE7335	Outline Drawing	A-100128-706

This is an uncontrolled document once printed or downloaded and is subject to change without notice. Date Created:06/21/2023



NOTE:
* 1. DIMENSION IS FROM RESILIENT RING END CAP TO END OF SHAFT.

DASH	C	XB
606	10.34 [262.63]	0
656	10.84 [275.33]	0
706	11.34 [288.03]	0
756	11.84 [300.73]	5.00 [127.00]
806	12.34 [313.43]	5.00 [127.00]
856	12.84 [326.13]	5.00 [127.00]
906	13.34 [338.83]	5.00 [127.00]
956	13.84 [351.53]	5.00 [127.00]

DRAWING REVISION M	REVISION BY KHADHAR	DATE UD
ECO ECO-0157345	APPROVED BY JD	DATE 11/27/2018
ECO DESCRIPTION ADDED GREEN GROUND LEAD WIRE ON DRAWING		
<small>COPYRIGHT REGAL BELOIT AMERICA, INC. ALL RIGHTS RESERVED. PROPRIETARY AND CONFIDENTIAL INFORMATION - THIS DOCUMENT IS THE PROPERTY OF REGAL BELOIT AMERICA, INC. ("OWNER") AND CONTAINS OWNER'S PROPRIETARY INFORMATION. ANY PERSON, CORPORATION OR OTHER FIRM RECEIVING IT IS DEEMED, BY RECEIVING IT, TO AGREE THAT IT, AND/OR ANY PART OF IT, SHALL NOT BE DISCLOSED TO ANY PERSON, CORPORATION OR OTHER ENTITY, DUPLICATED, AND/OR USED, EXCEPT AS EXPRESSLY APPROVED IN WRITING IN ADVANCE BY OWNER. THIS DOCUMENT SHALL BE RETURNED TO OWNER UPON REQUEST. IT MAY BE SUBJECT TO CERTAIN RESTRICTIONS UNDER APPLICABLE EXPORT CONTROL LAWS AND REGULATIONS.</small>		

TOLERANCES UNLESS OTHERWISE SPECIFIED:			
DEC.	INCH	mm	ANGLE
.X	±0.1	[±2.5]	±7° 30"
.XX	±0.03	[±0.76]	
.XXX	±0.005	[±0.127]	
.XXXX	±0.0005	[±0.0127]	
REMOVE BURRS & BREAK SHARP EDGES: .003/.015 [0.076/.381] X 45°			
CORNER FILLETS: R.02 [0.51]			
MACHINED SURFACES: 200 INCH/mm 5.1			
mm SHOWN IN [BRACKETS]			

DRAWN BY PGK	Regal Beloit America, Inc.	
DATE 06-06-1997		
APPROVED BY GK	DESCRIPTION OUTLINE	
DATE 06-11-1997	56 FR. - DR.PR. - 3Ø - RESIL. MT.	
REFERENCE 100128	MATERIAL	PROCESS/FINISH
THIRD ANGLE PROJECTION	SIZE B	DRAWING NUMBER 100128
		SHEET 1 OF 1

